



Bullet shape die cast aluminum flood with 10 Watt LED Light Engine. Comes with flood reflector installed.

Color: Verde green

Weight: 3.5 lbs

Project:	Type:
Prepared By:	Date:

Driver Info		LED Info	
Type:	Constant Current	Watts:	10W
120V:	0.21A	Color Temp:	Amber
208V:	0.14A	Color Accuracy:	N/A
240V:	0.12A	L70 Lifespan:	100000
277V:	N/A	Lumens:	92
Input Watts:	10W	Efficacy:	10 LPW
Efficiency:	N/A		

Technical Specifications

Other

AMBER LED:

HBLED10 with amber LED globe

Patents:

LFLOOD thermal Management technology is protected under utility patents pending in the U.S., Canada and China.

Warranty:

RAB warrants that our LED products will be free from defects in materials and workmanship for a period of five (5) years from the date of delivery to the end user, including coverage of light output, color stability, driver performance and fixture finish.

Country of Origin:

Designed by RAB in New Jersey and assembled in the USA by RAB's IBEW Local 3 workers.

Buy American Act Compliant:

This product is a COTS item manufactured in the United States, and is compliant with the Buy American Act.

Recovery Act (ARRA) Compliant:

This product complies with the 52.225-21 "Required Use of American Iron, Steel, and Manufactured Goods-- Buy American Act-- Construction Materials (October 2010).

Trade Agreements Act Compliant:

This product is a COTS item manufactured in the United States, and is compliant with the Trade Agreements Act.

GSA Schedule:

Suitable in accordance with FAR Subpart 25.4.

Listings

UL Listing:

Suitable for wet locations. Suitable for ground mounting.

IESNA LM-79 & IESNA LM-80 Testing:

RAB LED luminaires have been tested by an independent laboratory in accordance with IESNA LM-79 and 80

LED Characteristics

Lifespan:

100,000-hour LED lifespan based on IES LM-80 results and TM-21 calculations.

Color Stability:

LED color temperature is warrantied to shift no more than 200K in CCT over a 5 year period.

Electrical

Driver:

Multi-chip 10W high output long life LED Driver Constant Current, Class II, 120V-240V, 47/63 Hz, 350mA.

Surge Protection:

1KV

Construction

Thermal Management:

Cast aluminum patent pending Thermal Management system for optimal heat sinking. The LFLOOD is designed for cool operation, most efficient output and maximum LED life by minimizing LED junction temperature.

Swivels:

Fully adjustable with sure-grip locks. 1/2" NPS threaded arm with serrated locking swivel fits all standard mounting covers. Color matched EZ Grip lock nuts. Stainless steel screw.

Housing:

Precision die cast aluminum housing.

Gaskets:

High Temperature Silicone.

Green Technology:

Mercury and UV free. RoHS compliant components. Polyester powder coat finish formulated without the use of VOC or toxic heavy metals.

C>Cold Weather Starting:

The minimum starting temperature is -40°F/-40°C.

Maximum Ambient Temperature:

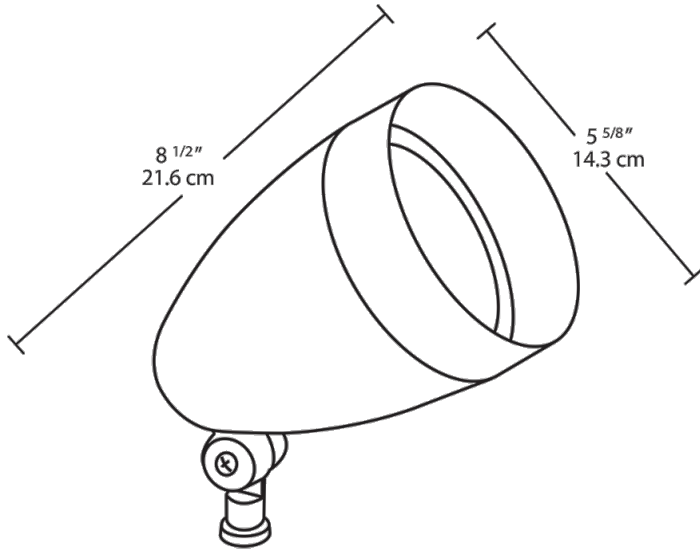
Suitable for use in 40°C (104°F) ambient temperatures

Finish:

Our environmentally friendly polyester powder coatings are formulated for high-durability and long-lasting color, and contains no VOC or toxic heavy metals.

HBLED10VG AMB

Dimensions



Features

- Ultra efficient LED and optical design
- Rugged die cast aluminum housing with powder coat finish
- Glare shield for effective light control
- Weatherproof high temperature silicone gaskets
- 5-year warranty

Ordering Matrix

Family	Watts	Color Temp	Finish	LED Color
HBLED	10 = 10W	Blank = 5000K (Cool) Y = 3000K (Warm)	A = Bronze W = White B = Black VG = Verde Green	Blank = Standard AMB = Amber